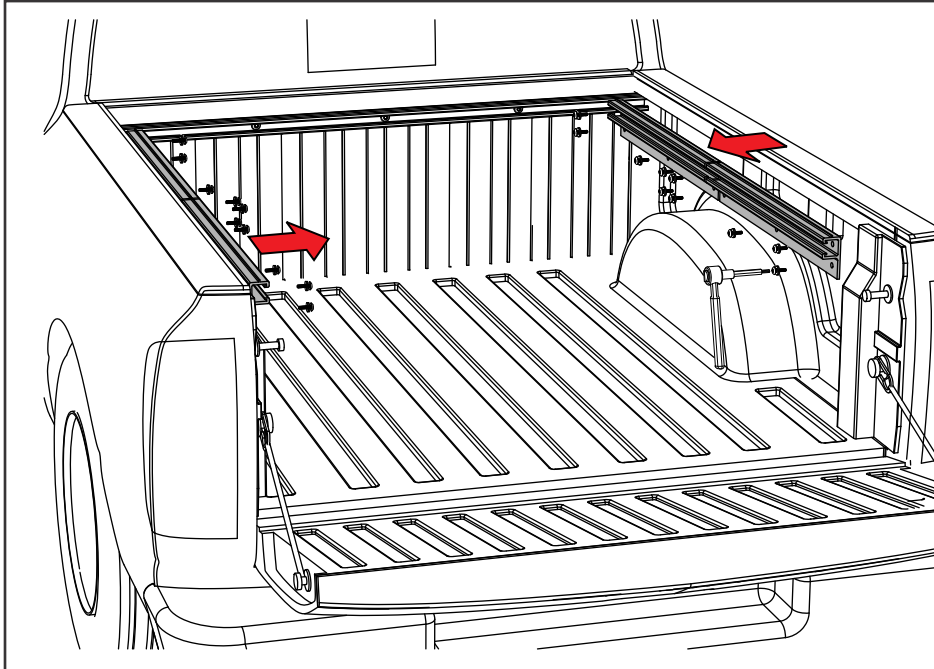


SUPPLEMENTAL INSTALL SHEET

Nissan Titan Utili-Track System Channel Adjustment



IMPORTANT: READ FIRST



1

Remove the factory channels from the bed sides, 2 rails on each side with 5 bolts each, T-30 Torx head bolts.

2

Rotate the channels 180 degrees as shown, remount the rails using the same holes and hardware.

NOTE: the center bolt on each rail is not used.

