

# SUPPLEMENTAL INSTALL SHEET

Toyota Tacoma xx406, xx407

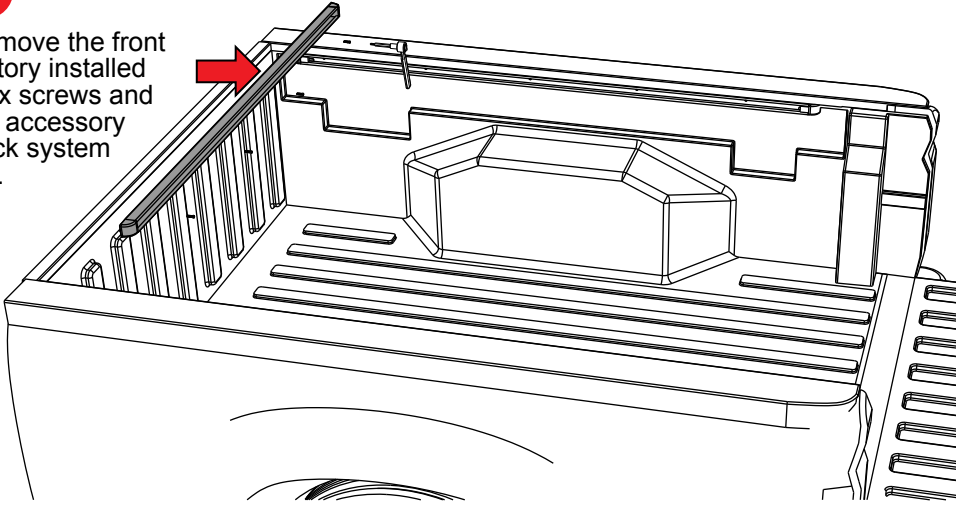


## IMPORTANT: READ FIRST



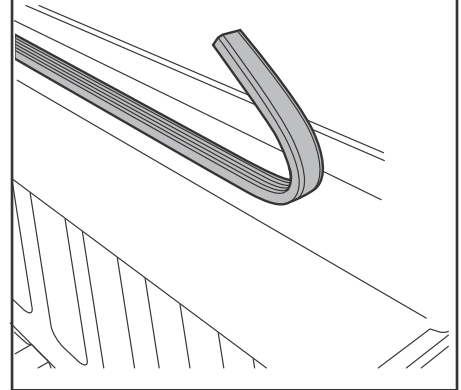
1

Remove the front factory installed Torx screws and the accessory track system rail.



2

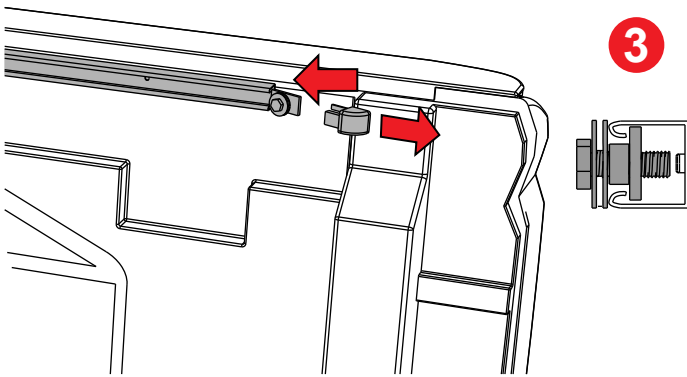
Install the bulkhead seal to the top of the bulkhead at the edge of the bed opening.



3

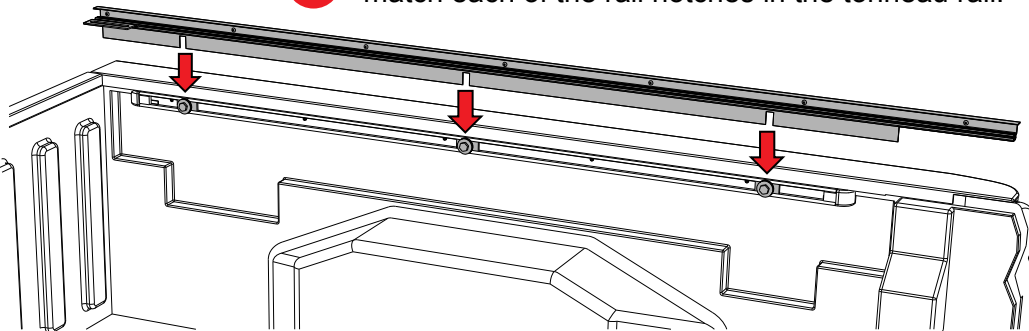
Remove the end cap from the factory track, then slide the Bolt Plates into the track. Repeat on both sides. 3 Bolt Plates per side for the 5' bed, and 4 for the 6' bed.

Replace factory track end caps.

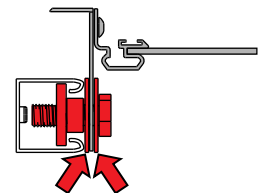


4

Align the Bolt Plates along the factory track so that they match each of the rail notches in the tonneau rail.



**Important Note!**  
The tonneau rail needs to be installed so that the rail is sandwiched between the two washers.

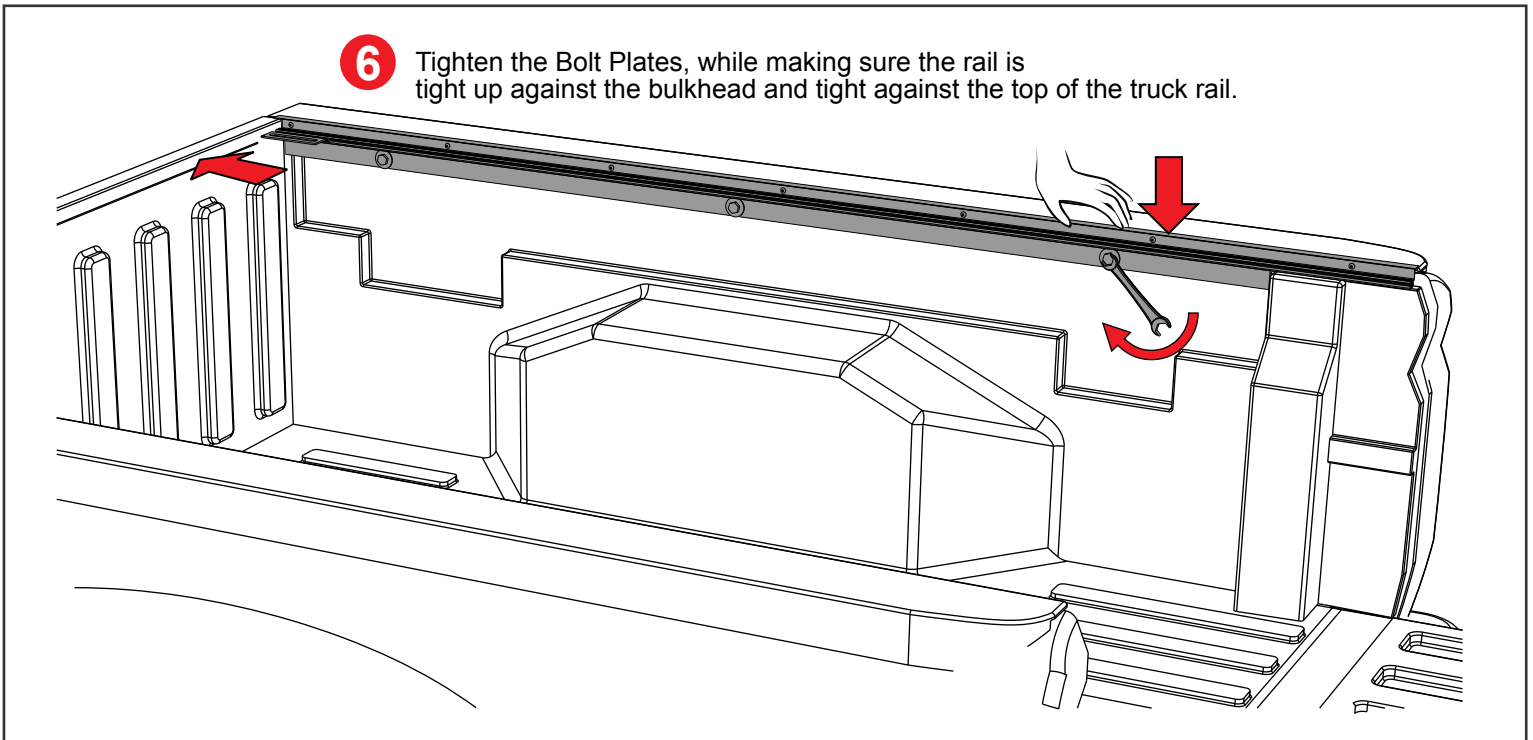
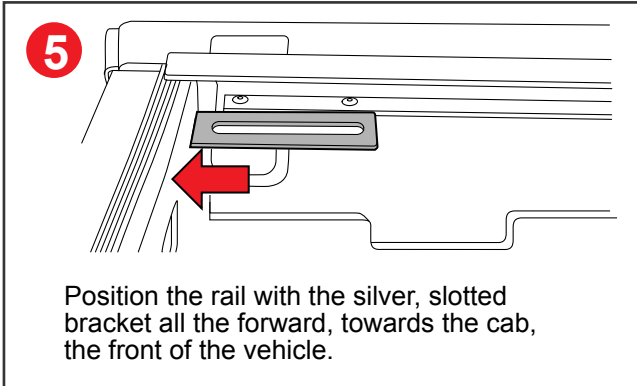


# SUPPLEMENTAL INSTALL SHEET

Toyota Tacoma xx406, xx407



## IMPORTANT: READ FIRST



**Return to standard Installation Sheet, Step 8.**